

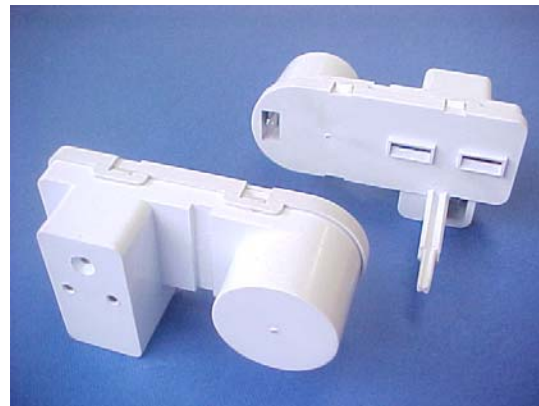


PC4 & PC5

Compact motor control units

- EASY MOUNTING
- TWO COMPONENTS IN ONE
- INTEGRATED COVER

U.S. PATENT 7,253,998



Electrica, a world leader in compressor motor protection, has designed the new PC4 and PC5 motor controls to fit on several OEM compressors sold in the U.S. Market. They both combine an overload protector and a PTC starter into one compact package while eliminating the need for a separate compressor terminal cover.

PC5 allows direct mounting of the run capacitor while PC4 offers the easier design without capacitor wiring.

They reduce costly inventory, facilitate assembly, and improve compressor efficiency.

General data

- Plug-in mount connects directly on hermetic 3-pin terminal
- Rated voltage 120 V a.c. or 250 V a.c.
Run current (FLA) 5A max
Overload current (LRA) 30A max
Start winding ratings (terminals M to S) according to PTC ratings
- Case material: thermoplastic compound
PTI 250V – UL94 V0 – Rated 130°C
- Run capacitor
PC5: can mount a boxed style capacitor
- 6.3 mm (.250") or 4.8 mm (.187") tabs to connect Line

Approval

- UL E51436

Marking

<p>PC5 0121 R 1 A E M 420</p>	Product name PC4 or PC5
	Overload Protector type (4 digits code refers to ELECTRICA ¾' T type)
	Pellet characteristic (see table)
	Pellet Reference Temperature (0=120°C, 1=135°C, 2=130°C)
	Rated voltage (A=120V, B=250V)
	Terminal configuration (see table & drawings)
	Manufacturing date Year of manufacture (4) and week of manufacture (20)
	Manufacturing location M = Mexico

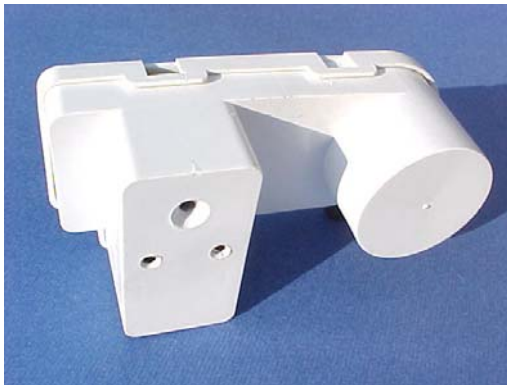
Pellet characteristics

Type	Rated voltage V a.c.	Resistance Ohm	V max V	I max A	Diameter mm	Thickness mm
L	120	4.7 ± 30%	180	12	16	2.5
R	120	6.8 ± 30%	200	10	16	2.5
N	120	10 ± 30%	200	8	16	2.5
E	250	22 ± 30%	320	7	16	2.5

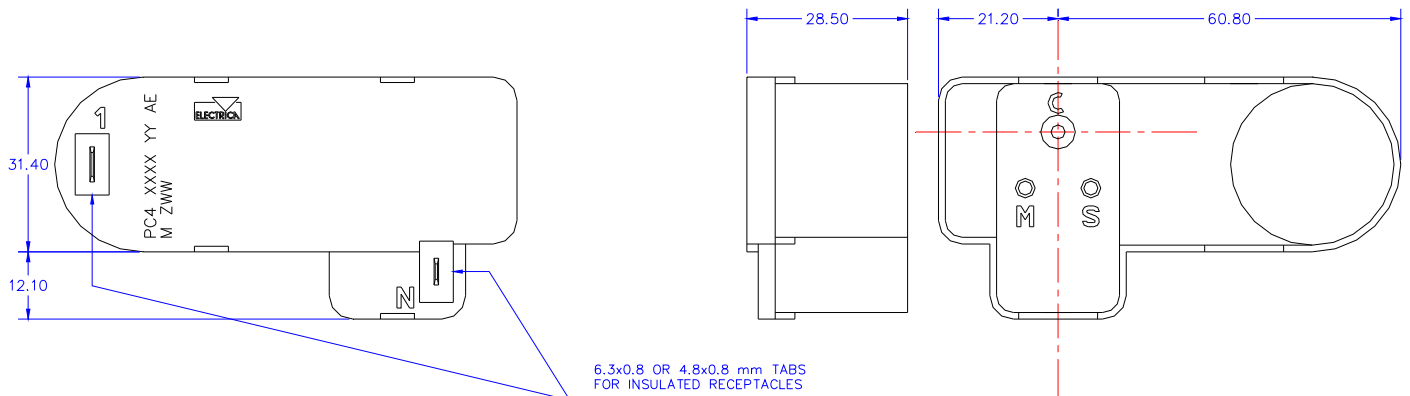
Terminal configurations

Code	Terminal position		Terminal type
	1	N	
E	6.3x0.8	4.8x0.8	For insulated receptacles
F	6.3x0.8	6.3x0.8	
G	4.8x0.8	6.3x0.8	
H	4.8x0.8	4.8x0.8	

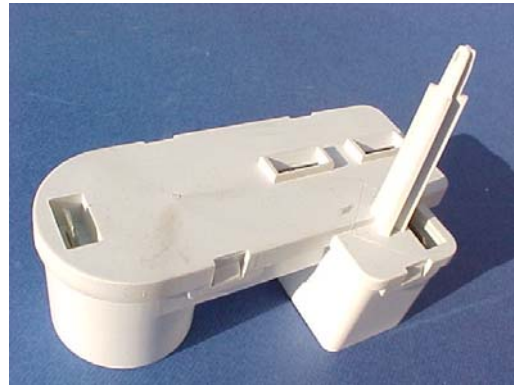
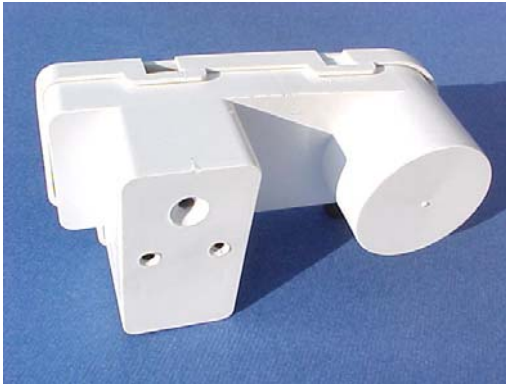
PC4



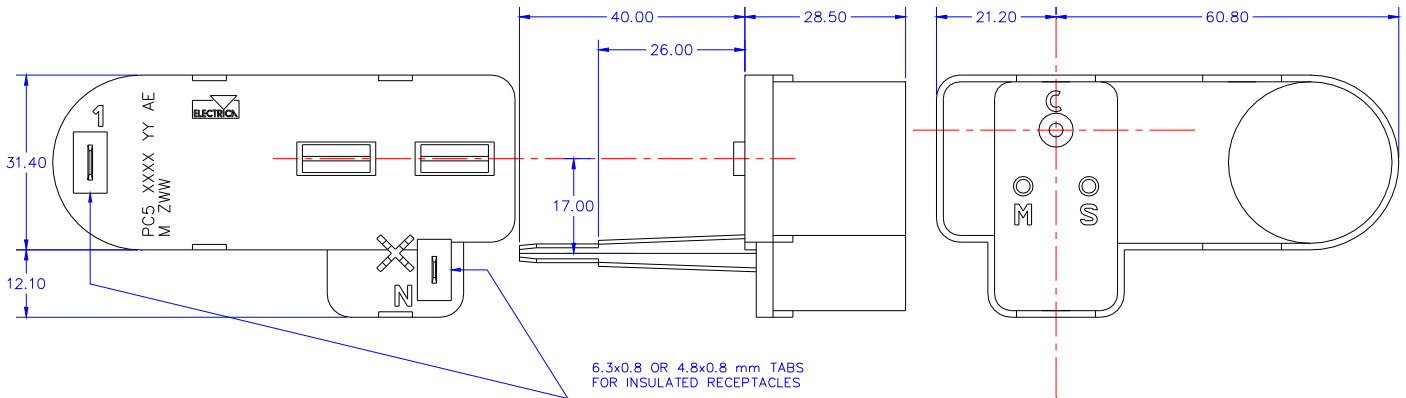
Outline drawing (units in mm)



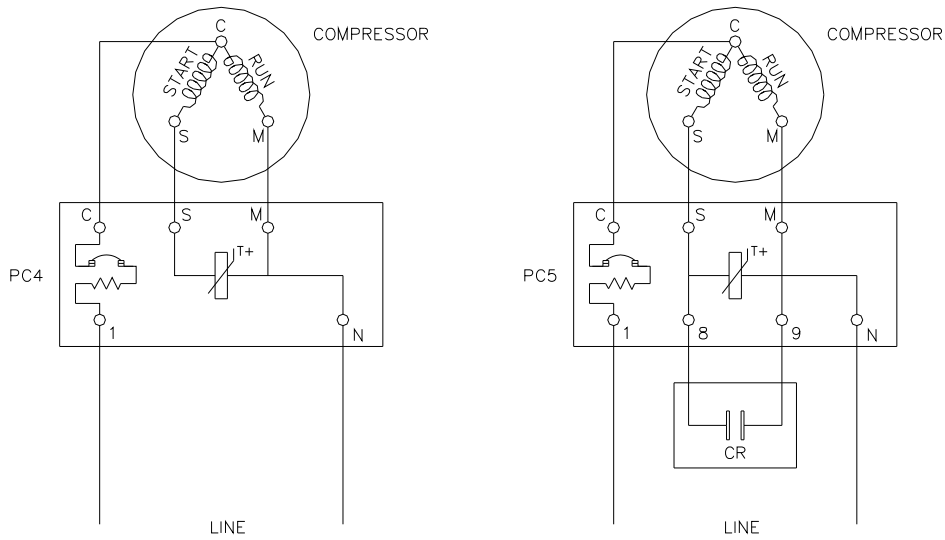
PC5



Outline drawing (units in mm)



Circuit diagram



Notice

PTC elements may be degraded by excessive humidity, especially saline, and by pollution, especially Cl and Ph. Carefully evaluate the use of PVC parts near PTC elements.

For any different configuration, contact the Factory

Electrica s.r.l. - via privata Della Torre, 24 - 20127 Milano - Italia
 Tel. +39 02 2892641 Fax +39 02 2827511
www.electrica.it info@electrica.it